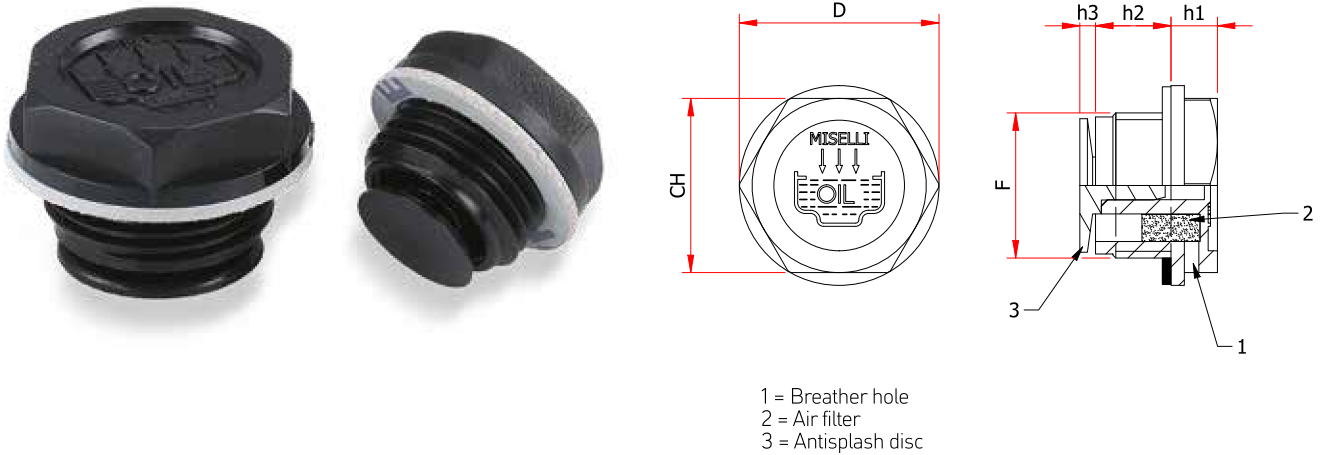


## TCSA - OIL FILL PLUG WITH BREATHER AND ANTI - SPLASH DISC

## TCSF - OIL FILL PLUG WITH BREATHER, FILTER AND ANTI - SPLASH DISC



Plastic hex threaded oil filler breather plug ensuring high mechanical resistance at both low and high temperatures, dimensional stability and shocks resistance. These plugs have the "fill" graphic symbol and the word OIL molded on the top. The breather hole is located on the side of the hex with a diameter from 2 to 3,5 mm, depending on the plug size. Incorporated anti-splash disc, positioned under the thread, will reduce spillage when heavy oil movement in the reservoir or gearbox take place.

- **Material:** Polyamide PA66.

- **Sealing:** flat fiber gasket.

- **Maximum working temperature:** 100°C/212°F.

- **Filter:** polyurethane foam filter element prevents contaminations from the ambient atmosphere polluting the oil.

Cod.	F	CH	D	h2	h1	h3	Nm	Pack.
TCSA/14	G 1/4"	17	19,5	9	7	3	5	100
TCSA/38	G 3/8"	18	22	10	7,5	3	8	100
TCSA/12	TCSF/12	G 1/2"	23	28	11	7,5	3	9
TCSA/34	TCSF/34	G 3/4"	30	34	11	9	4	11
TCSA/1	TCSF/1	G 1"	36	42	12	10,5	4	20
TCSA/114	TCSF/114	G 1 1/4"	42	51	13,5	12	4	-
TCSA/14.15		M 14x1,5	17	19,5	9	7	3	5
TCSA/16.15		M 16x1,5	18	21	10	7,5	3	6
TCSA/18.15		M 18x1,5	21	26	10	7,5	3	7
TCSA/20.15	TCSF/20.15	M 20x1,5	24	28	10	8	3	8
TCSA/22.15	TCSF/22.15	M 22x1,5	24	28	11	8	3	10